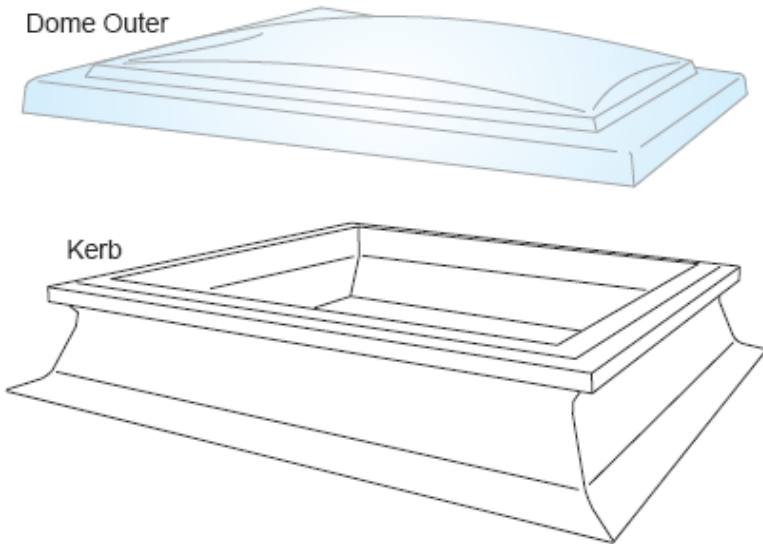

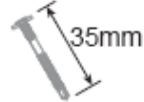





## Installation: Mardome Trade with sloping kerb Single, Double & Triple skin / unvented & vented

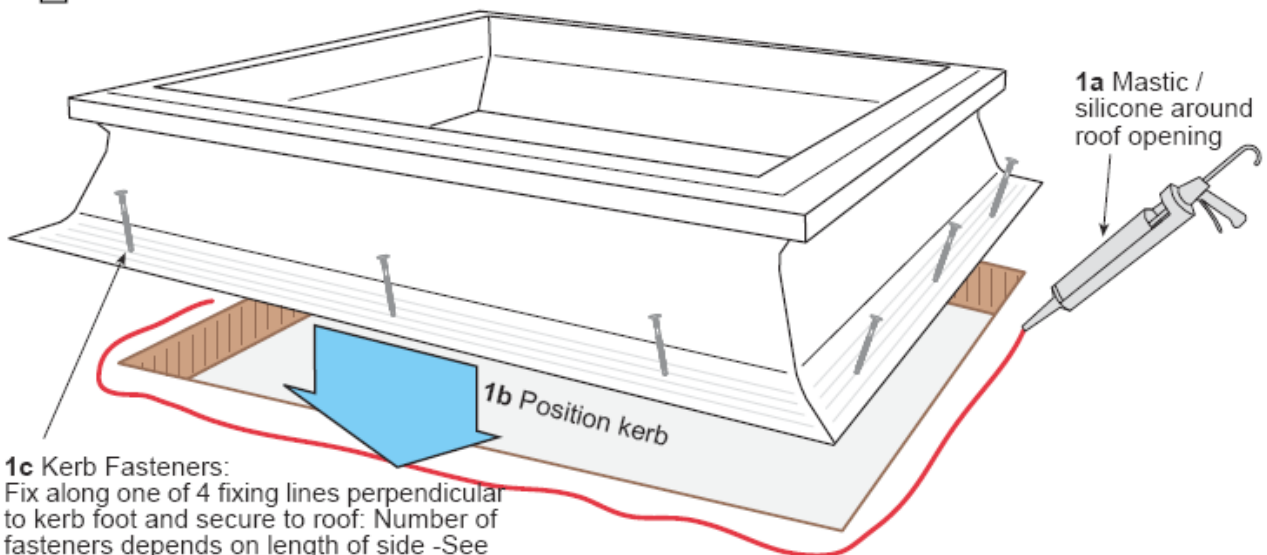
### 0 Parts in this Mardome kit



	Length of side					
	600, 750	900, 1050, 1200	1350, 1500	1800	2400	
Number per side	Kerb fastener  55mm (Packaged in packs of 5)	2	3	4	5	5
	Dome fastener single/double skin  35mm (Packaged in packs of 5)	2	3	4	5	7
	Dome fastener triple skin (cassette)  75mm (Packaged in packs of 5)	2	3	4	5	7
	Fastener buttons  (Loose for single & double skin)	2	3	4	5	7
	Fastener caps 	2	3	4	5	7

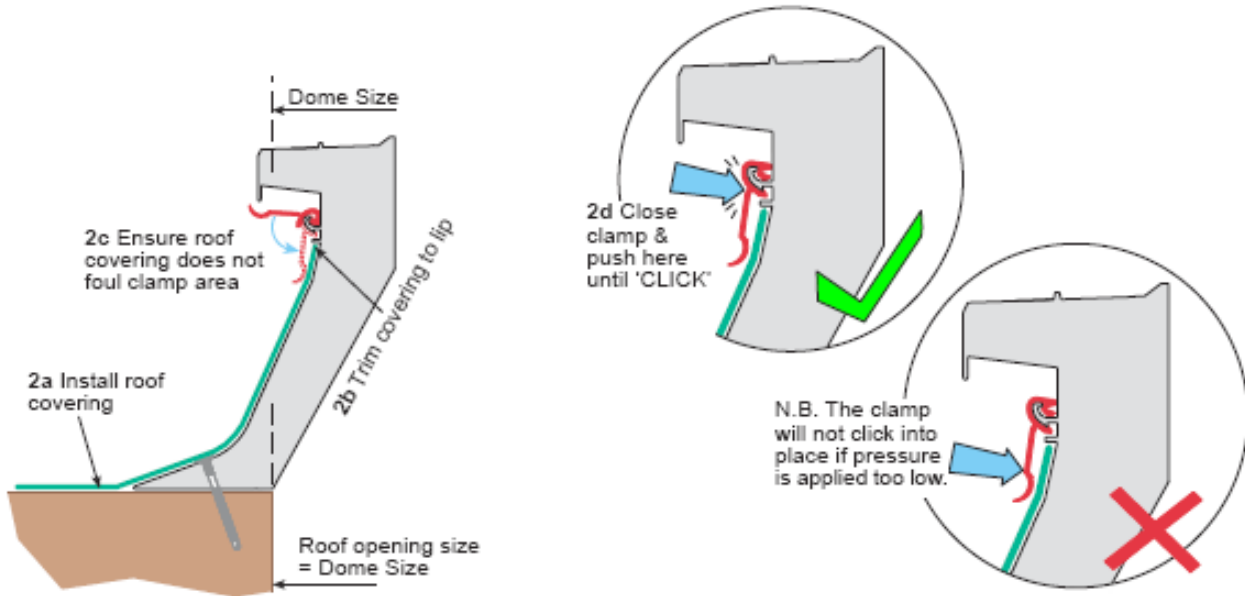
(Please unpack and check all parts are included and undamaged)

### 1 Kerb Installation

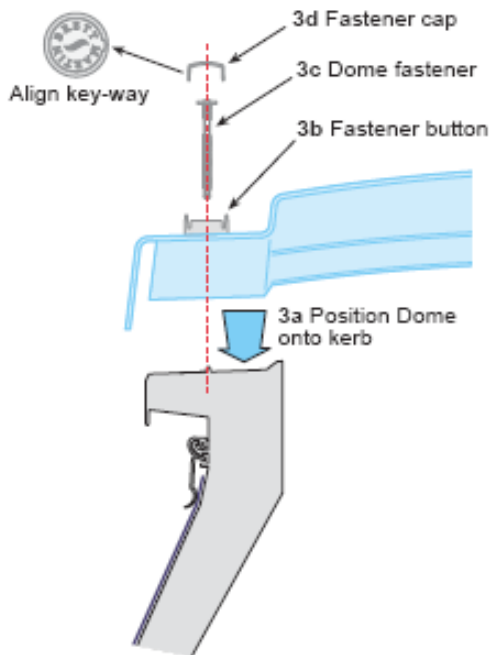


**1c Kerb Fasteners:**  
Fix along one of 4 fixing lines perpendicular to kerb foot and secure to roof. Number of fasteners depends on length of side -See table above.

## 2 Roof covering Installation



## 3 Dome Installation



**Master Plastics**

Buy Mardome Trade Roof Domes online

@ [www.fascias.com](http://www.fascias.com)