

# ABRU

## Timber Professional Complete

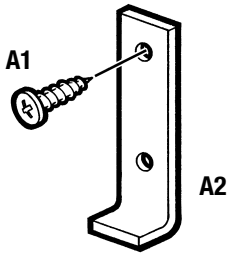
### Loft Access Kit

#### Installation and Operating Instructions

*Read Carefully Before Installation*

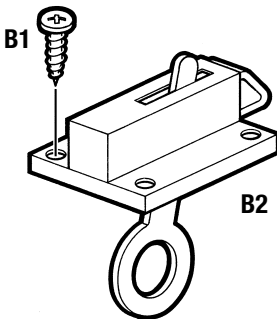
Please check you have all components listed (tick Boxes)

#### CATCH BRACKET



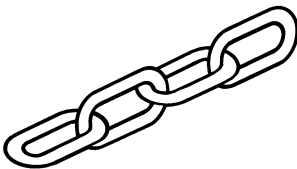
- A1 Screws (15mm) .....x2
- A2 Catch Bracket .....x1

#### LOCKING CATCH



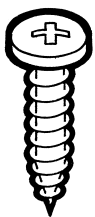
- B1 Screws (15mm) ....x4
- B2 Locking Catch .....x1

#### CHAIN LINK

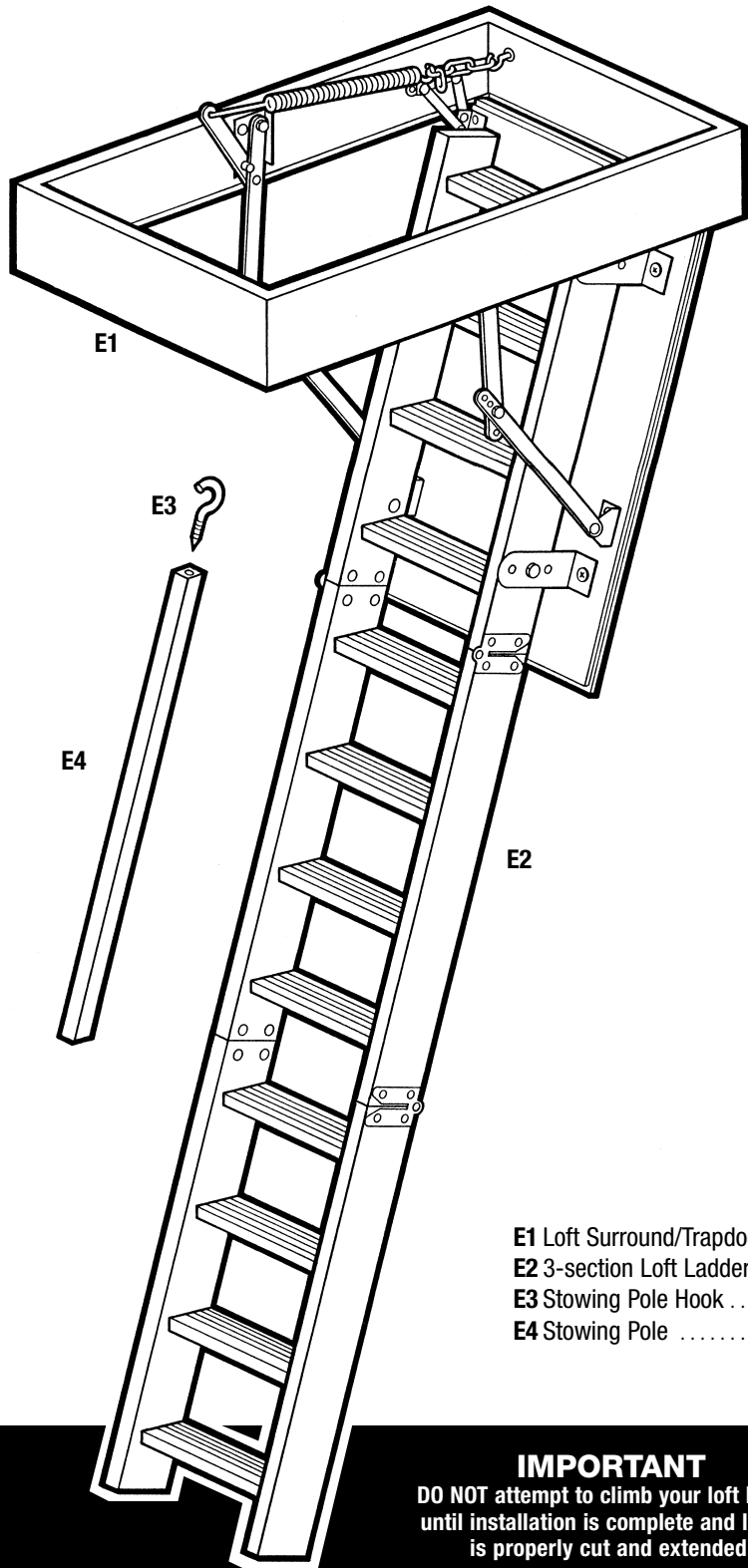


- C1 Chain Link .....x2

#### SPRING ASSEMBLY SCREWS



- D1 Screws (25mm) .....x4



- E1 Loft Surround/Trapdoor ....x1
- E2 3-section Loft Ladder .....x1
- E3 Stowing Pole Hook .....x1
- E4 Stowing Pole .....x1

#### IMPORTANT

DO NOT attempt to climb your loft ladder until installation is complete and ladder is properly cut and extended.

## Safety Instructions

Before commencing the installation or operation of this product, read these instructions carefully and completely, noting in particular the instructions regarding safety (below).

**The Abru 'Timber Professional Complete Loft access kit' is perfectly safe when correctly installed and will support a weight of up to 150 Kgs. (23.6 st.). Please observe the following safety procedures:**

- Do not attempt to climb your Abru loft ladder until installation is complete. Use a second ladder to gain access to the loft while carrying out the work. Ensure that this is stable.
- If in any doubt when building the loft opening 'frame', seek expert advice or use a suitably qualified joiner or builder.
- During installation and operation, follow all instructions step by step to ensure your safety and the optimum performance of the loft ladder.
- Observe normal safety precautions when working in the loft space. Place weight only on the main ceiling joists. Do not drill above head height. Avoid contact with electrical wiring and service pipes.
- Ensure someone else is on the premises and knows where you are in case of an accident.
- Do not modify any component supplied with this product or substitute any loft ladder component with anything other than genuine Abru replacement parts.
- When installation is complete and before using the ladder, make sure that it is pulled fully down and that both feet are resting firmly on the floor.

### Minimum space requirements:

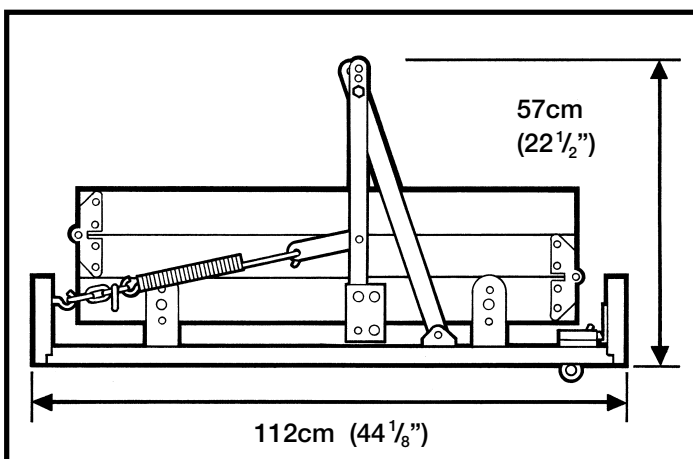
When stowed, the ladder will occupy a space approximately 112cm (44.1/8") x 60cm (23.5/8") and in the loft a height of 57cm (22.1/2") (The actual size may vary slightly so please check your product). Ensure that the ladder is not obstructed by items stowed in the loft.

### Tools required:

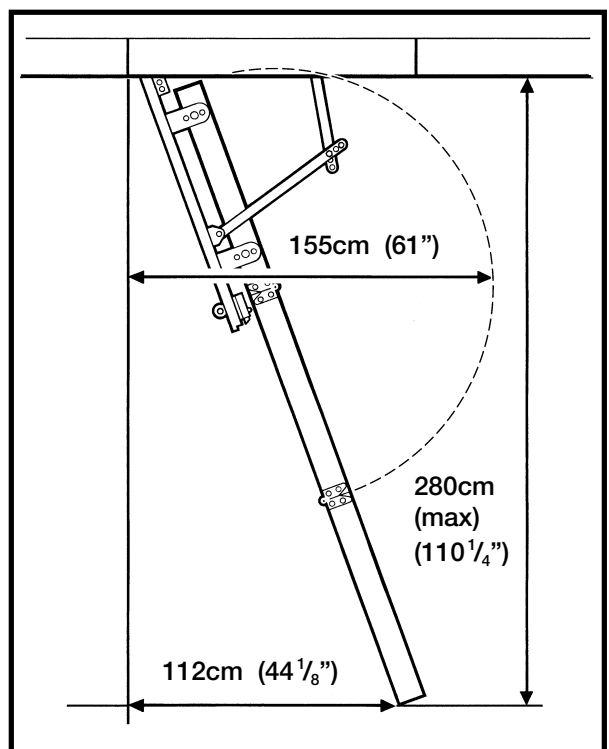
- Stepladder ● Pencil ● Workbench ● Bradawl ● Fine Tooth Saw ● Drill and 2mm bit ● Crosshead Screwdriver: No's. 1&2 ● 13mm spanners ● Tape measure/ruler ● Lever to prise off any support battens
- Straight 1 metre length of wood ● 8 Strong screws (minimum 35mm long) ● 2 Wooden Planks 80cm long

**If any components are missing, please contact the Abru Sales Dept. Tel: 01773 525700**

### Stowed Requirements

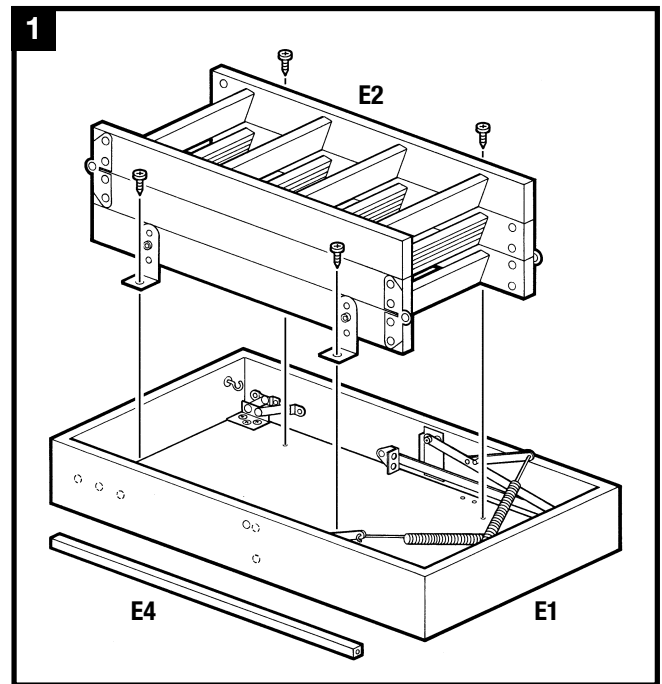


### Deployed Requirements



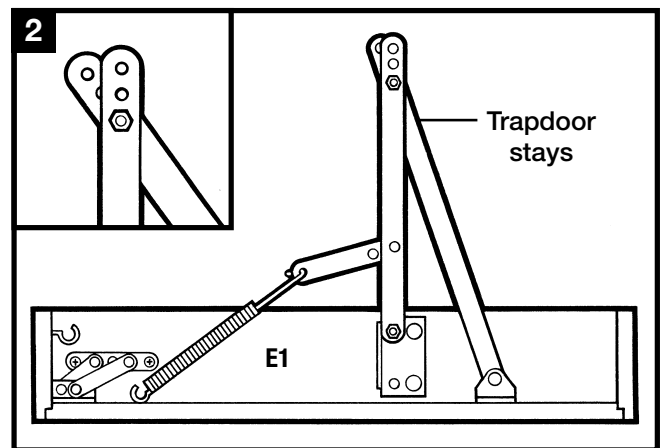
## Removing Ladder from Loft surround/Trapdoor

**1** Temporarily remove the ladder section (**E2**) from the loft surround/trapdoor (**E1**) by removing the 4 screws from the angled brackets (keep these screws to use later). Lift out the ladder section, the stowing pole (**E4**) and the corrugated packing material.



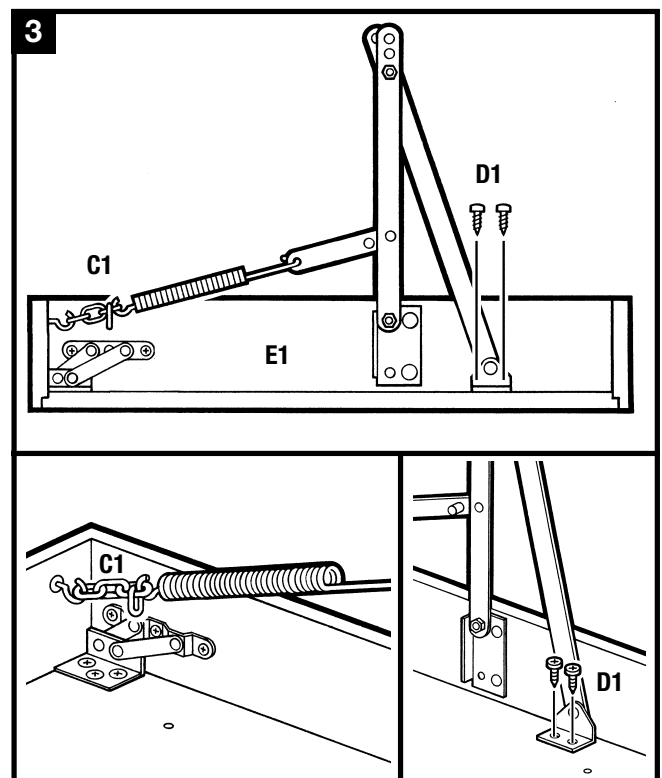
## Attaching Spring Assembly

**2** Separate the springs from each other, but leave them connected to the short stays. Lift both sets of trapdoor stays to the vertical position. Check that each set of trapdoor stays are joined together at the 3rd hole down - as shown.



**3** Locate a chain link (**C1**) onto both anchorage hooks on the inside of the loft surround/trapdoor. Connect the other end of the chain link onto the end of the springs (onto the 3rd link for light tension, 2nd link for heavier tension).

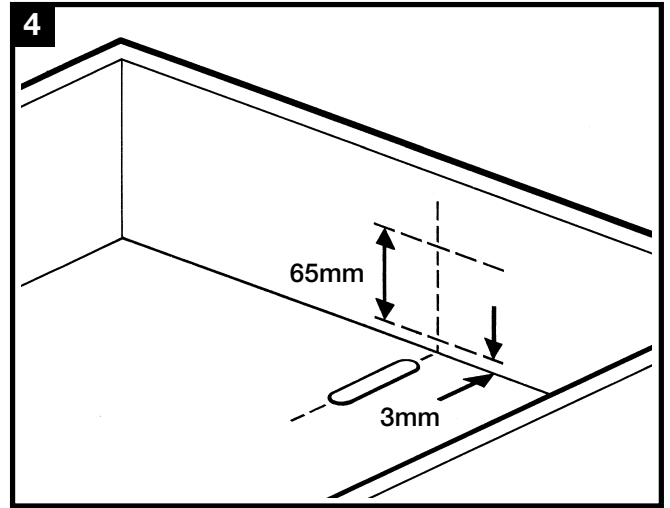
Locate and fix the brackets on the end of the trapdoor stays to the predrilled holes in the trapdoor. Fix using 2 x 25mm screws (**D1**) per stay. This will apply tension to the springs.



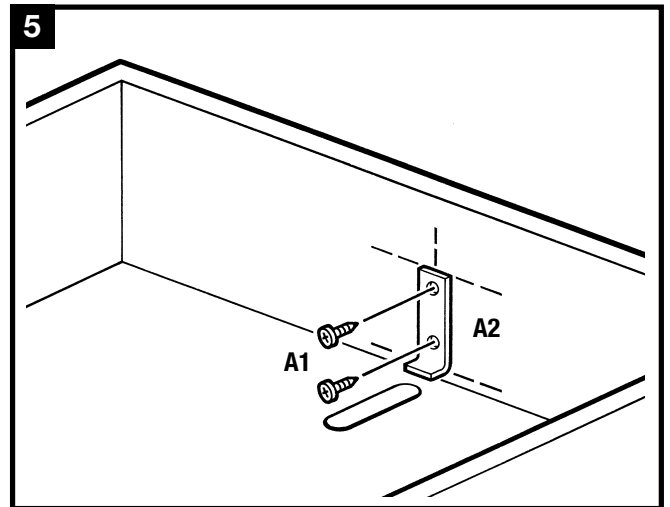
## Fitting Locking Catch Assembly

**4** First place a book or similar to wedge under the loft surround/trapdoor to raise the catch end off the floor and give enough clearance below it to fit the locking catch.

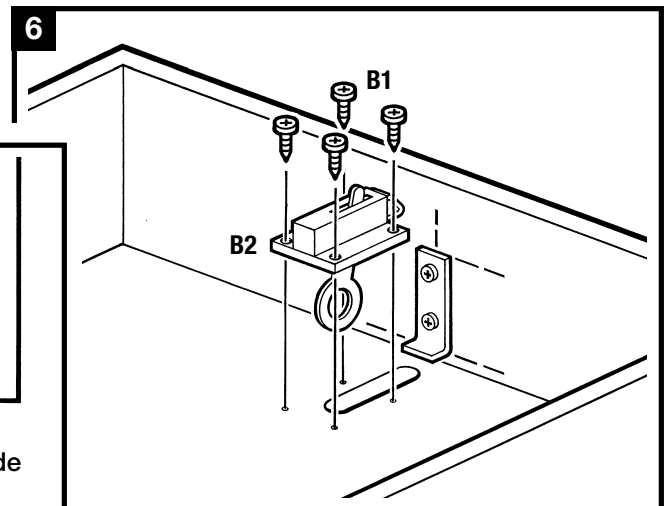
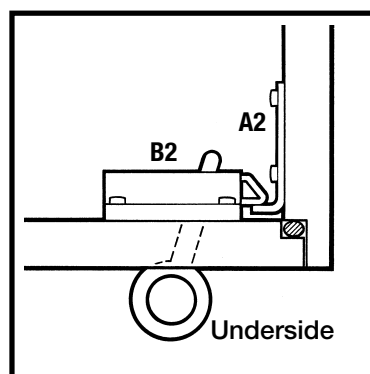
Inside, at the opening end of the loft surround/trapdoor, draw a line 3mm up and parallel to the bottom edge of the trapdoor. Draw another line from the centre of the slot in the trapdoor and 65mm vertically up the loft surround.



**5** Carefully position the bottom of the catch bracket (A2) on the horizontal line and mark the fixing hole positions on to the vertical line using a bradawl. Fix the bracket using 2 x 15mm screws (A1).

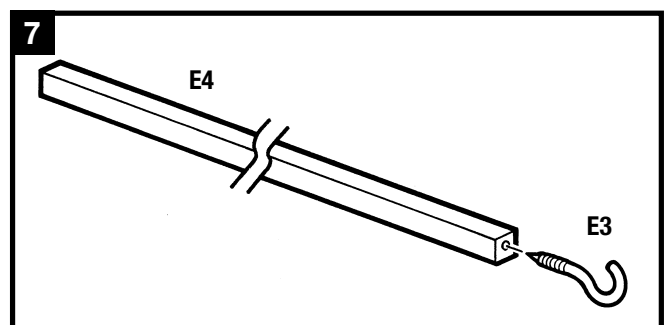


**6** Insert the round pull handle of the locking catch (B2) into the slot in the trapdoor. Study the position of the catch in the close-up diagram then mark the fixing hole positions using a bradawl. Fix using 4 x 15mm screws (B1).



## Assembling Stowing Pole

**7** Screw the stowing pole hook (E3) firmly onto the end of the stowing pole (E4).

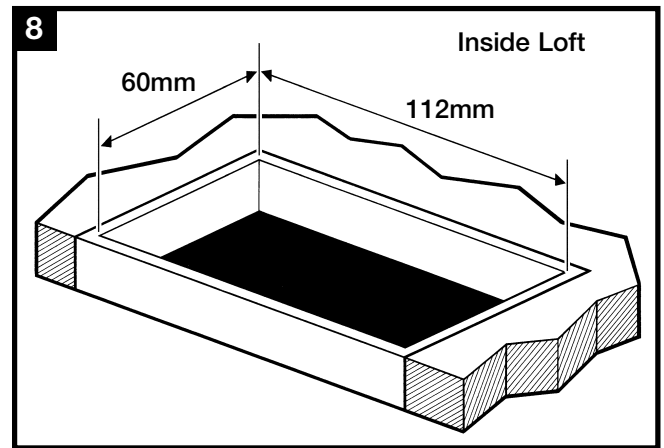


## Making Loft Opening 'Frame'

**8** An opening 112cm x 60cm needs to be built in the ceiling to fit the loft surround/trapdoor (E1) into. Check that the loft surround/trapdoor will fit with-in these measurements.

If you are in any doubt at all about creating this size opening we strongly recommend you seek professional advice or employ the services of a professional joiner or builder.

**IMPORTANT:** The opening frame must not be distorted (must be 90 degrees at corners).



## Fitting Loft surround/Trapdoor

**9** Two people are needed for the next three steps and you must ensure you have the following items in the loft before starting:

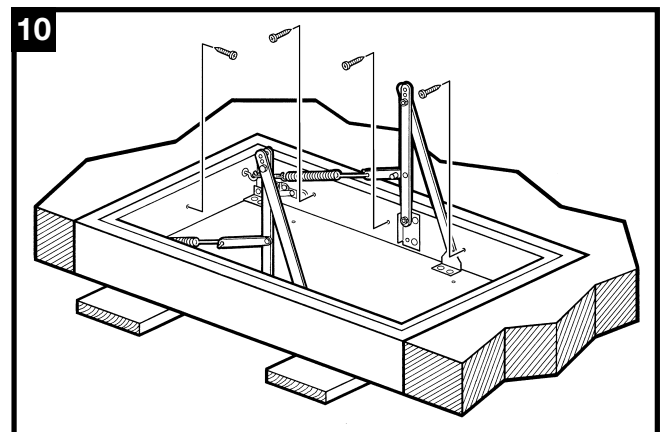
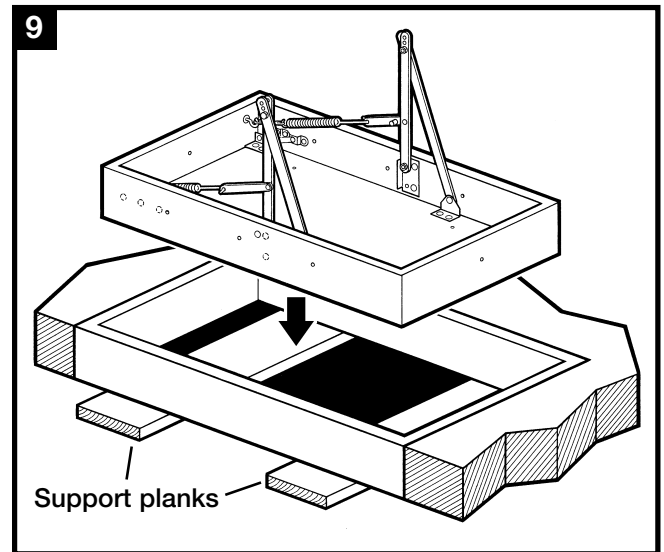
Loft surround/trapdoor, Ladder section, 4 x 25mm screws (to fix ladder) removed in step 1, Eight fixing screws (not supplied), Screwdriver.

Before taking the loft surround/trapdoor into the loft, it is best to drill the fixing holes. Drill ONE pilot hole in each short side and THREE pilot holes in each long side (all centrally positioned). Use a 2mm drill bit.

To support the loft surround/trapdoor while it is being fixed to the loft opening 'frame', fix 2 support planks to the underside of the opening. Someone else will have to do this while you are in the loft.

Lower the loft surround/trapdoor into the loft opening 'frame'. Ensure it is the correct way around and resting on the support planks.

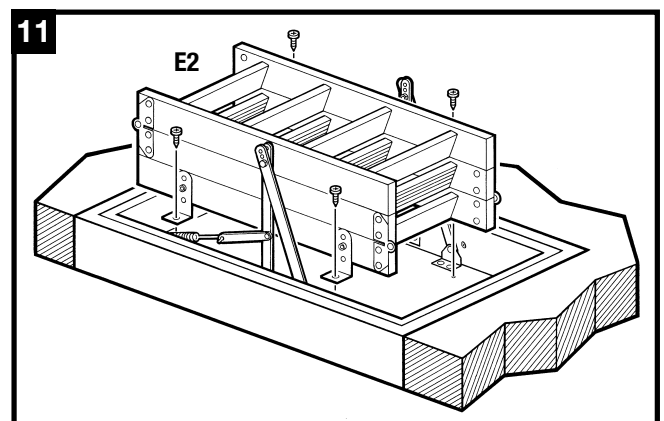
**10** Once the loft surround/trapdoor is in position, fix it to the outer 'frame' at the positions drilled in the last step. Fix using 8 screws (not supplied).



**11** Re-attach the ladder section to the trapdoor using the 4 x 25mm screws removed in step 1 (ensure it is the correct way around).

The support planks fitted earlier should now be removed.

At this stage do not use the loft ladder – use a step ladder to exit the loft.



## WARNING!

DO NOT rest your weight on the trap door

## Ladder Height Adjustment

### 12 Reducing Height less than 2.77 metres

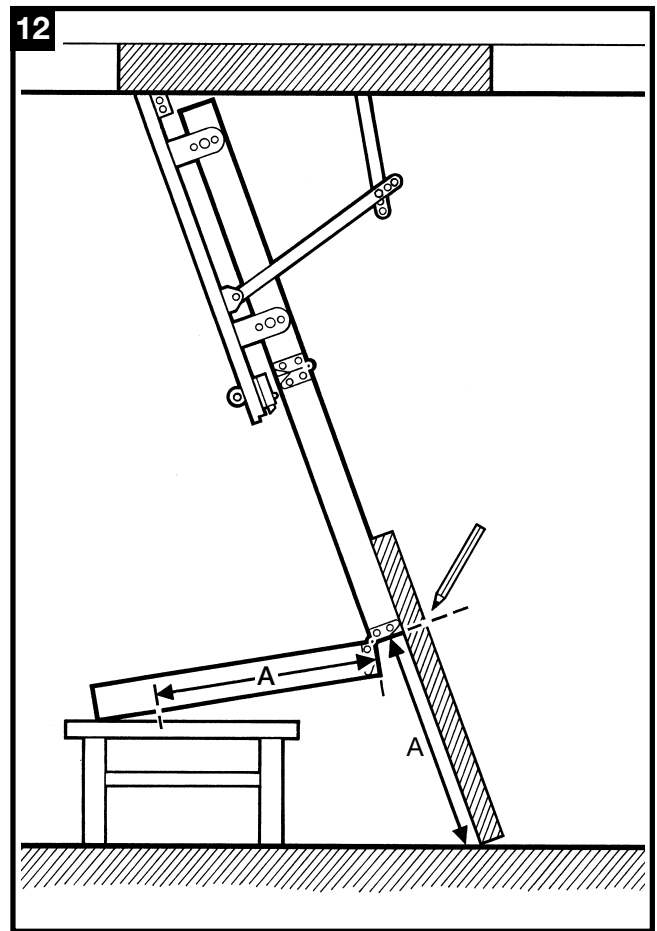
Lower the ladder as described in steps 16-18. Fold the bottom section underneath and rest it on a 'workbench'. Use a straight length of wood to rest on the front edge of the side rails of the ladder (study diagram). Measure the distance from the bottom end of the middle section of the ladder to the floor (A). Mark this measurement onto the front edge of the side rail of the bottom section of ladder (A).

13 Place the length of wood onto the side of the side rail, running level with the back edge. Measure the distance (B). Mark this measurement onto the back edge of the side rail of the bottom section of ladder (B).

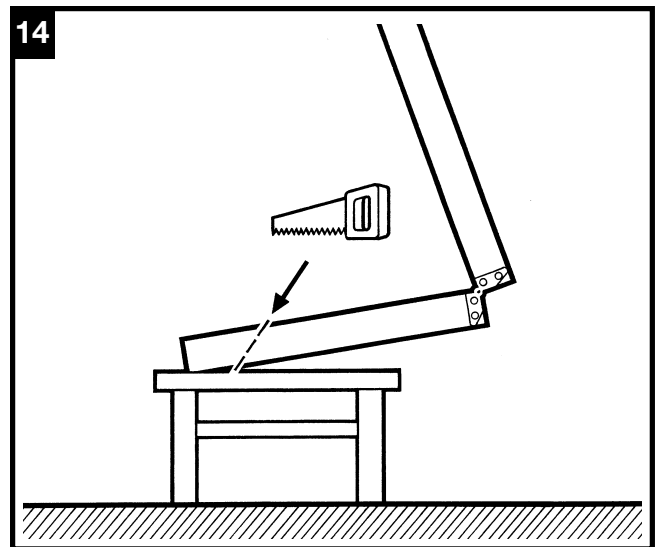
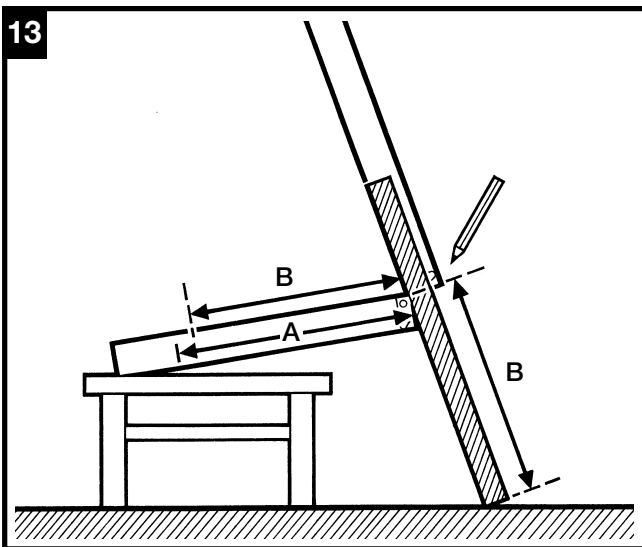
Repeat with the other ladder side rail in case the floor is uneven.

14 Draw a line between the marked distances (A & B) onto the sides of the bottom section of ladder and cut with a fine tooth saw (remove any rough edges— with sand paper).

If the intended cut falls level with a ladder tread it will be necessary to move the adjustment nuts and bolts to either the 1st or 2nd holes - see step 15. However, the amount of adjustment is only 3cm.



## Be very careful not to cut the ladder too short



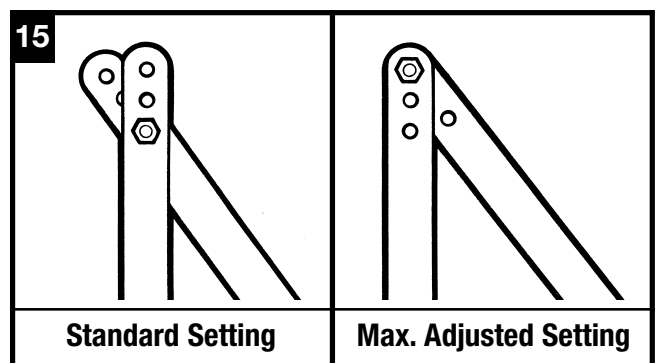
### 15 Minor Height Adjustment (3cm)

A minor height adjustment (extension) can be made by moving the adjustment nuts and bolts to the 1st or 2nd holes on the trapdoor stays.

#### **WARNING!**

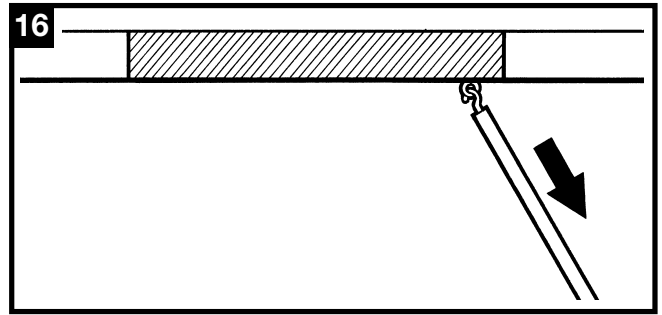
#### **Extreme Spring Tension**

Removal of the adjustment nuts and bolts must only be carried out one at a time and only when the ladder is fully stowed and the trapdoor is locked closed.

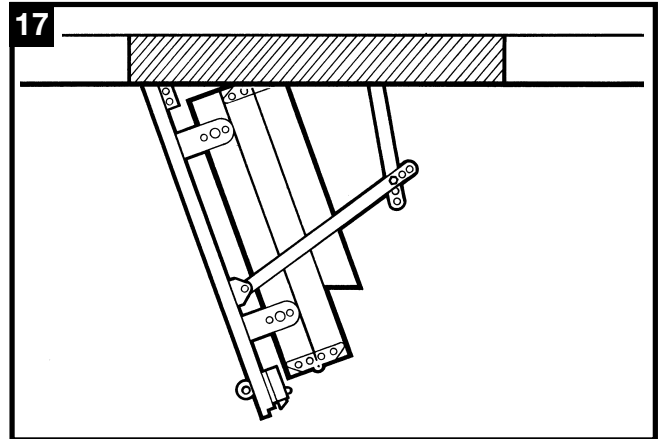


## Operating Loft Ladder

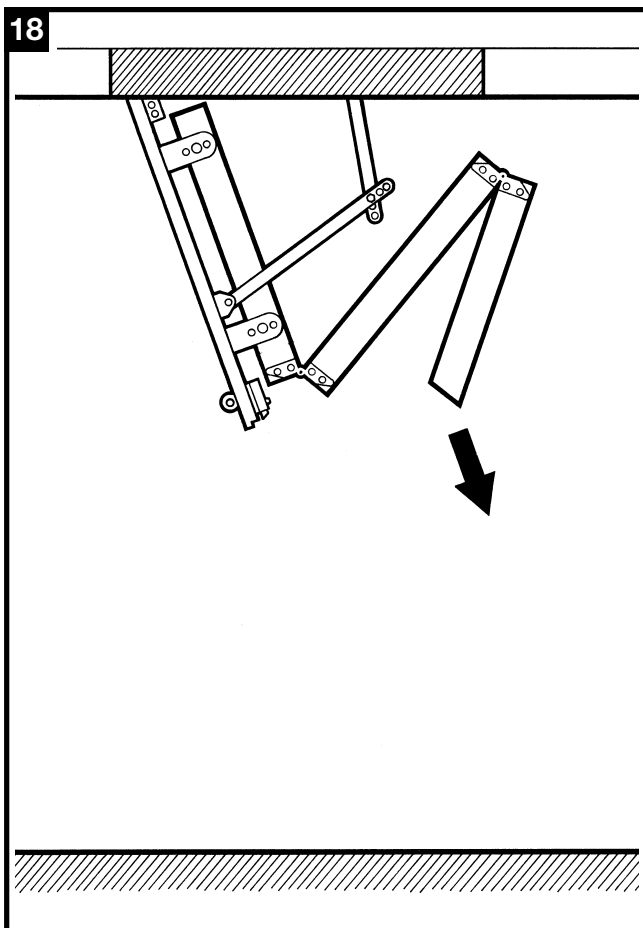
**16** Using the stowing pole, pull on the locking catch loop to release the catch and pull down.



**17** Pull the trapdoor fully down until it can go no further and 'locks' into position.



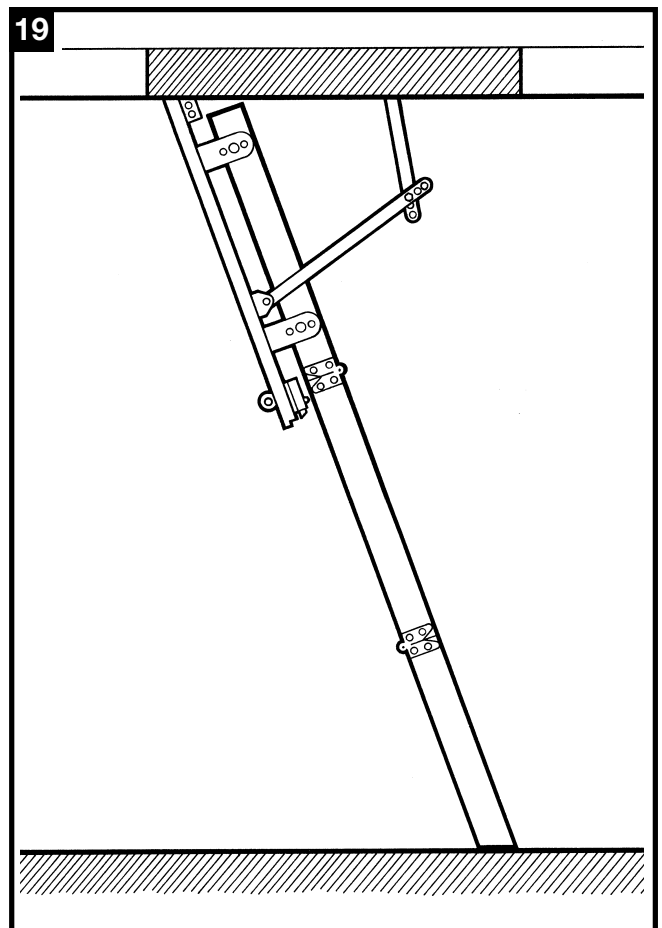
**18** Take hold of the bottom of the top ladder section and carefully lower down.



**19** When fully extended ensure the feet of the ladder are firmly on the floor.

Always face the ladder when climbing up or down and always hold onto the ladder sides with at least one hand.

To stow the ladder, repeat steps 16-18 in reverse.



## **After installation**

If required a frame surround (not supplied) can be fitted onto the ceiling to conceal the edges of the Loft surround/trapdoor opening.

The ladder and all other wooden parts can be varnished to protect and extend its life.

Lubricate all moving metal parts annually. Screws and nuts should be checked from time to time and tightened when necessary.

**Customer Helpline No. 01773 525710**

# **ABRU**

**Britain's Leading Ladder Manufacturer**

Abru Limited, Derwentside Industrial Park,  
Derby Road, Belper, Derbyshire, England DE56 1WE  
Tel: (01773) 525700



[www.userview.co.uk](http://www.userview.co.uk)